



# SSS 1M / 2M

## 2.4KW - 6.4KW



2.4KW/3.0KW/3.3KW/4.2KW/5.0KW/5.2KW/5.4KW/5.5KW/6.2KW/6.4KW

## Single-Phase Single / Dual MPPT



### Optimal Power

- 98.1% Max. Efficiency
- 20A PV input current per string, 1-2 MPPT trackers



### Strong Load

- 60V Start-up Voltage, longer working hours with low start-up voltage
- 110% continuous AE output overloading



### Convenient Installation & Operation

- Plug & Play terminals for easy wiring
- OLED display and App for setting and data management



### Flexible Design & Use

- IP66 for indoor and outdoor Installation
- Compact size and elegant appearance



BIS Approved



IEC Approved



# KEY FEATURES



Components from World Renowned Suppliers



Lightweight, Compact Structure Design, Easy to Install



Durability and Longevity with Ip66 Protection



Adaptive MPPT algorithm for higher yield



5th Generation High Temperature & High Efficiency IGBT, Improving Overall Power Generation.



Single Phase Protection Category: Type II SPD + GDT



Fuse less & Fan less Design



Cap Sense Button Design for Harsh Environment



24H smart loads consumption monitoring export limit available



Automotive Class PCB Technology



Integrated Streamlined Case Design with Elegant Appearance



WiFi and GPRS Remote Intelligent Monitoring System



Double Modulation of Three level SPWM & SVPWM, for Pure Sine Wave



Remote Software Upgrade, parameter Setting & Troubleshooting Query



Proven HERIC Topology for Single Phase Inverters



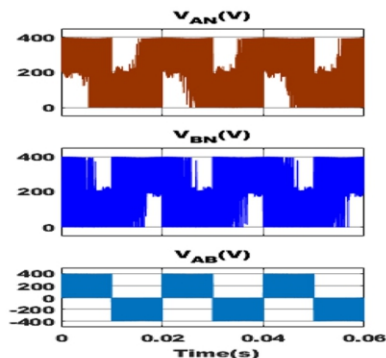
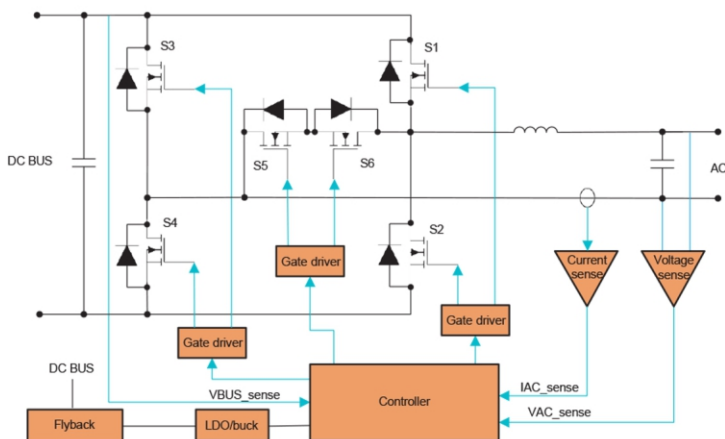
Anti-Rust Enclosure



Multi function OLED display, Easy operation and configuration



Rounded-edge structure meets the ergonomic design, elegant and friendly to install & carry



HERIC Topology

**SUNSATHI**  
SOLAR साथी SERVICE कत...

Sunsathi Solar Private Limited

